

Refinio Media Wall by Peerless-AV®

163" ALL-IN-ONE dvLED DISPLAY SOLUTION



Refinio Media Wall by Peerless-AV® is a refined, all-in-one dvLED display solution designed for high-end executive boardrooms, conference rooms, and training facilities. Combining a FHD or UHD COB dvLED display, precision-engineered mounting system, and furniture-grade thermally fused laminate (TFL) cabinetry, Refinio delivers a complete, ready-to-install solution with minimal room preparation. Integrated base cabinetry houses critical AV components for clean, accessible integration – eliminating the need for a separate equipment room – while a wide selection of anti-fingerprint solid colours and woodgrain finishes ensures lasting durability with a premium aesthetic.



- Also available 108" (LEDMW-108 models) and 136" (LEDMW-136 models) dvLED configurations to support a variety of room sizes and viewing distances
- Features furniture-grade TFL cabinetry offered in a range of standard and custom finishes
- Includes press-to-release, soft-close cabinet doors for smooth, quiet access and a premium user experience
- Integrated LED base illumination elevates the overall design, creating a more polished, professional environment
- Utilizes natural convection cooling, and also includes thermostatically controlled, whisper-quiet fans to maintain proper operating temperatures
- Supports integration of third-party AV equipment, including video conferencing systems and power protection



White Casella Oak Finish Shown

ALL-IN-ONE SOLUTION

Includes a FHD or UHD COB dvLED display, precision-engineered mounting system, and furniture-grade TFL cabinetry for fast and streamlined technology deployment

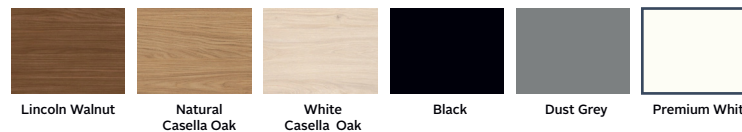
INSTALLATION-FRIENDLY DESIGN

Designed for quick installation with minimal room preparation to reduce overall project time and cost

CONVENIENT COMPONENT STORAGE

Base cabinets include an integrated 2RU rack, shelf, and component tray to maximize usable space and keep equipment organized and easily accessible

CABINERY COLOUR OPTIONS



LEDMW-163 MODELS

Refinio Media Wall by Peerless-AV® | 163" All-In-One dvLED Display Solution

dvLED Display Specifications

	FHD Model	UHD Model
SIZE	163" (3600 x 2025mm)	
PIXEL PITCH	1.8 pp	0.9 pp
RESOLUTION	FHD	UHD
LED LAMP TYPE	COB	
MAX BRIGHTNESS	600 nits	
CONTRAST	12,000 : 1	
COLOUR BIT	22 bit	
REFRESH RATE	3840 Hz	
VIEWING ANGLE	H 178° / V 178°	
RECEIVING CARD	NS6323A	
CONTROLLER	NovaStar MX20	NovaStar H2
OPERATING TEMPERATURE RANGE	-10° to 45°C (14°F to 113°F)	
OPERATING HUMIDITY RANGE	10% to 80%	
LIFESPAN	100,000 Hours	
INPUT VOLTAGE	100-240V, 50/60Hz	
POWER CONSUMPTION	831W Avg	
	2479W Max	
COLOUR GAMUT	DCI-P3 : 99.49%	
	Rec. 709 : 100%	
	Rec. 2020 : 86.13%	
SPARE PARTS INCLUDED	Pixel Modules (x7), Receiver Cards (x2), Hub Boards (x2), Power Supplies (x2), Service Tool	



dvLED Controller Specifications

	NOVASTAR MX20 (FHD)	NOVASTAR H2 (UHD)
INPUTS	2x HDMI v1.3, 1x 3G-SDI	H2 HDMI 2.0 Input Card
OUTPUTS	LED OUTPUTS: 6x 1 Gbps	NSH201, RJ45 SENDING CARD: 20 Outputs Per Card (Max = 2 Cards)
	OPTICAL FIBER OUTPUTS: 2x 10 Gbps	-
	Genlock	Genlock
BIT RATE	10 bit	10 bit
CONTROL	TCP/IP, RS232: 2x RJ45	TCP/IP, RS232: 2x RJ45
LOADING CAPACITY	MAX PIXELS PER OUTPUT: 650,000 Pixels	MAX PIXELS PER OUTPUT: 325,000 Pixels
TOTAL PIXELS	3.9 Million Pixels	13 Million Pixels
	MAXIMUM INPUT RESOLUTION: 1920 x 1080 @ 60Hz	MAXIMUM INPUT RESOLUTION: 4096 x 2160 @ 60Hz
	MAX OUTPUT WIDTH/HEIGHT: 3840 Pixels x 2560 Pixels	MAX OUTPUT WIDTH/HEIGHT: 10,752 Pixels x 10,752 Pixels
BUILT-IN SCALING	Custom, Pixel to Pixel, Snap to Canvas, Fill Screen	HQ Scaling Technology Also Supports Layer Scaling
SUPPORTED LAYERS	~3 Layers	~32 Layers
POWER INPUT	100-240V, 50/60Hz	100-240V, 50/60Hz, 4.0A
MAX POWER CONSUMPTION	50W	210W
OPERATING TEMPERATURE RANGE	-20°C to 45°C (-4°F to 113°F)	0°C to 45°C (32°F to 113°F)
RACK DIMENSIONS	1RU	2RU
DIMENSIONS	482.6 x 49.9 x 384mm (19" x 1.96" x 15.12")	482.6 x 88.1 x 529.8mm (19" x 3.47" x 20.86")
WEIGHT	4.5kg (9.92lb)	11 kg (24.25 lb)
CERTIFICATIONS	CE, RoHS, FCC, IC, UL, CB	CCC, CE, FCC, IC, RCM, UKCA, KC, CMIM, CB, UL, PSE
ACCESSORIES INCLUDED (1 EACH)	Power Cord, Ethernet Cable, HDMI Cable, Certificate of Approval	Power Cord, Ethernet Cable, HDMI Cable, Grounding Cable, Quick Start Guide, Safety Manual, Custom Letter, Certificate of Approval

Product Specifications

	DISPLAY	DIMENSIONS (W x H x D)	PRODUCT WEIGHT	FINISH	CABINET COLOURS
LEDMW-163-2KB LEDMW-163-2KW LEDMW-163-2KG LEDMW-163-2KL LEDMW-163-2KM LEDMW-163-2KD	2K	3703 x 2889 x 180mm (145.79" x 113.75" x 7.08")	318kg (699lb)	Thermally Fused Laminate (TFL)	Black Premium White Dust Grey White Casella Oak Natural Casella Oak Lincoln Walnut
LEDMW-163-4KB LEDMW-163-4KW LEDMW-163-4KG LEDMW-163-4KL LEDMW-163-4KM LEDMW-163-4KD	4K				Black Premium White Dust Grey White Casella Oak Natural Casella Oak Lincoln Walnut

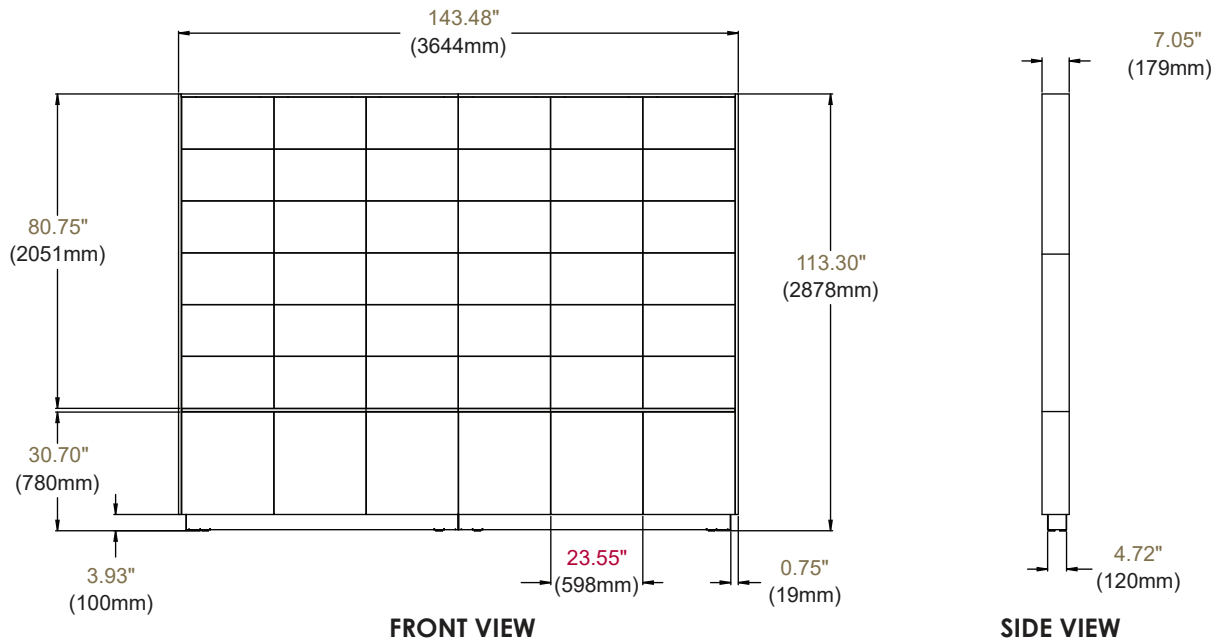
Package Specifications

	PACKAGE SIZE (W x H x D)	PACKAGE SHIP WEIGHT	PACKAGE UPC CODE	PACKAGE CONTENTS	UNITS IN PACKAGE
LEDMW-163-2KB LEDMW-163-2KW LEDMW-163-2KG LEDMW-163-2KL LEDMW-163-2KM LEDMW-163-2KD	COMING SOON	COMING SOON	735029361831 735029361848 735029361855 735029361862 735029361879 735029361886	FHD COB dvLED Display @ 1.8 pp NovaStar MX20 dvLED Mount Furniture-Grade TFL Cabinetry Thermostatically Controlled Fans (6) 2RU Equipment Rack (1) Shelf (1) Universal AV Component Tray (1) LED Base Lights	1
LEDMW-163-4KB LEDMW-163-4KW LEDMW-163-4KG LEDMW-163-4KL LEDMW-163-4KM LEDMW-163-4KD			735029361916 735029361909 735029361923 735029361930 735029361947 735029361893	UHD COB dvLED Display @ 0.9 pp NovaStar H2 (UHD) dvLED Mount Furniture-Grade TFL Cabinetry Thermostatically Controlled Fans (6) 2RU Equipment Rack (1) Shelf (1) Universal AV Component Tray (1) LED Base Lights	

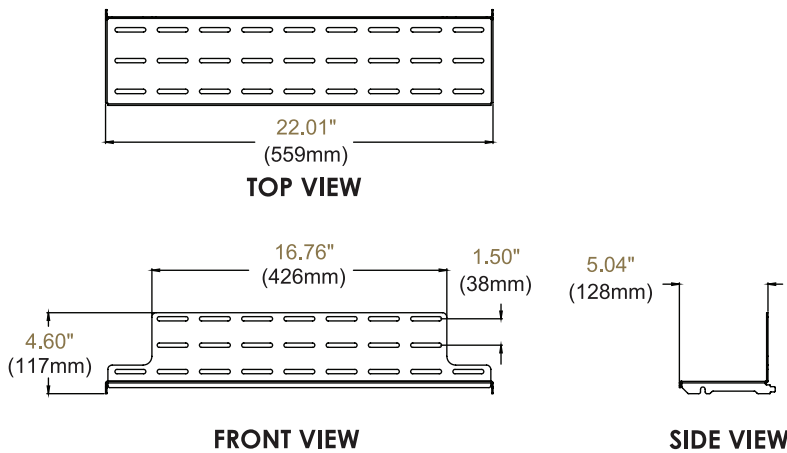
Accessories

- LEDMW-A2RU:** 2RU Equipment Rack
- LEDMW-ACCC:** Crestron® Collab Compute Mounting Bracket
- LEDMW-ACFX:** Crestron® Flex Mounting Bracket
- LEDMW-ACTY:** Universal AV Component Tray
- LEDMW-ADLK:** Door Lock
- LEDMW-AFAN:** Exhaust Fan
- LEDMW-ASHF:** Shelf
- ACC-UK4GIEC:** UK Power Strip
- ACC-EU3GIEC:** EU Power Strip

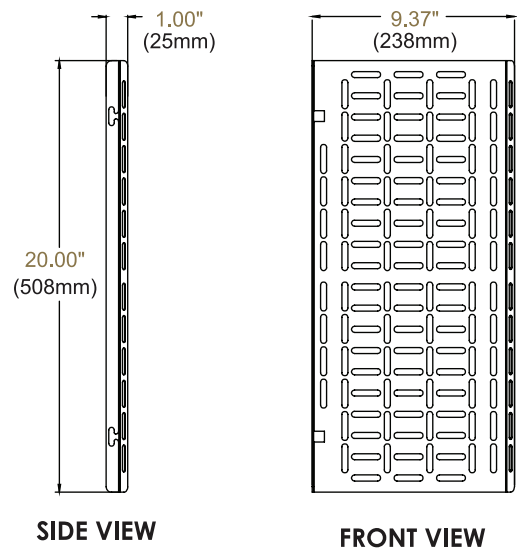
All dimensions = inch (mm)



SHELF



COMPONENT TRAY



Architect Specifications

The Refinio Media Wall by Peerless-AV® 163" All-In-One dvLED Display Solution shall be a Peerless-AV LEDMW-163 models and shall be located where indicated on the plans. Assembly and installation shall be done according to instructions provided by the manufacturer.

Visit peerless-av.com to see the complete line of AV solutions from Peerless-AV, including outdoor displays, kiosks, display mounts, projector mounts, carts/stands, and a full assortment of accessories.

Peerless-AV
 2300 White Oak Circle
 Aurora, IL 60502
 USA
(800) 865-2112
(630) 375-5100

Peerless-AV EMEA
 Unit 2 Curo Park
 Frogmore, St. Albans
 Hertfordshire, AL2 2DD
 United Kingdom
+44 (0) 1923 200 100

Peerless-AV B.V.
 Papendorpseweg 75
 3528 BJ Utrecht
 The Netherlands
+31 (0) 70 770 8037

Peerless-AV Latin America
 Av. de las Industrias 413
 Parque Industrial Escobedo
 General Escobedo, N.L.,
 México, 66062
+52 (81) 8384-8300

