

Refinio Media Wall by Peerless-AV®

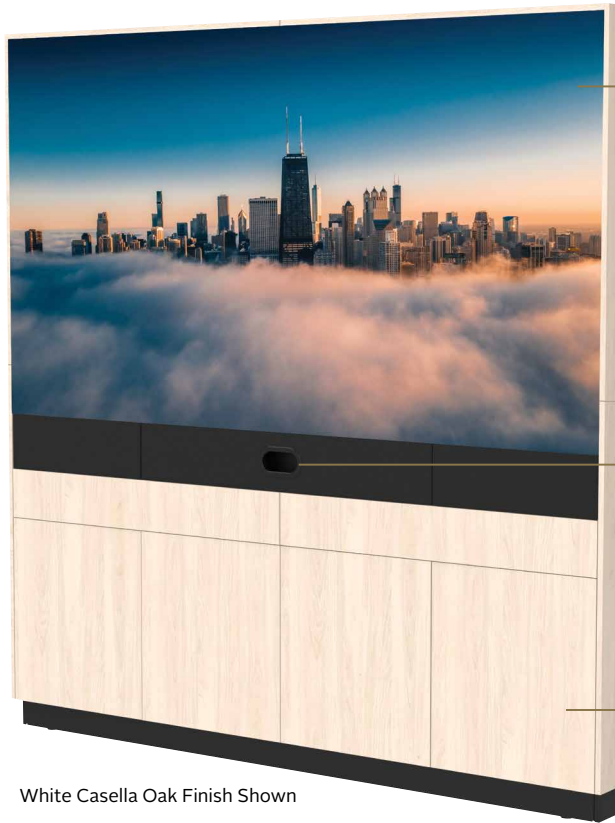
108" ALL-IN-ONE dvLED DISPLAY SOLUTION WITH VC HOUSING



Refinio Media Wall by Peerless-AV® is a refined, all-in-one dvLED display solution designed for high-end executive boardrooms, conference rooms, and training facilities. Combining a FHD COB dvLED display, precision-engineered mounting system, furniture-grade thermally fused laminate (TFL) cabinetry, and video conferencing and acoustic housing, Refinio delivers a complete, ready-to-install solution with minimal room preparation. Integrated base cabinetry houses critical AV components for clean, accessible integration – eliminating the need for a separate equipment room – while a wide selection of anti-fingerprint solid colors, woodgrain finishes, and acoustic fabrics* ensures lasting durability with a premium aesthetic.



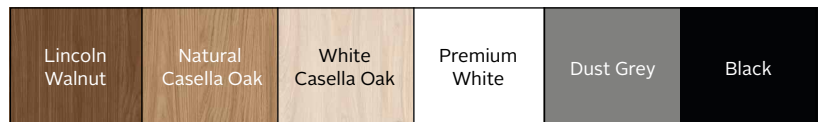
- Also available 108" without VC (LEDMW-108 models) 136" (LEDMW-136 models) and 163" (LEDMW-163 models) dvLED configurations to support a variety of room sizes and viewing distances
- Features furniture-grade TFL cabinetry offered in a range of standard and custom finishes
- Includes press-to-release, soft-close cabinet doors for smooth, quiet access and a premium user experience
- Integrated LED base illumination elevates the overall design, creating a more polished, professional environment
- Utilizes natural convection cooling, and also includes thermostatically controlled, whisper-quiet fans to maintain proper operating temperatures
- Supports integration of third-party AV equipment, including video conferencing systems and power protection



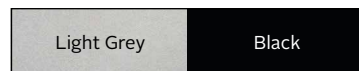
White Casella Oak Finish Shown

- **ALL-IN-ONE SOLUTION**
Includes a FHD COB dvLED display, precision-engineered mounting system, furniture-grade TFL cabinetry, and video conferencing and acoustic housing for fast and streamlined technology deployment
- **INSTALLATION-FRIENDLY DESIGN**
Designed for quick installation with minimal room preparation to reduce overall project time and cost
- **INTEGRATED CAMERA & AUDIO SUPPORT**
This solution is designed to accommodate a customer-supplied video conferencing system, with a mounting height of 43" (1100mm) and the option to relocate the camera above the display
- **CONVENIENT COMPONENT STORAGE**
Base cabinets include an integrated 2RU rack, shelf, and component tray to maximize usable space and keep equipment organized and easily accessible

CABINERY COLOR OPTIONS



ACOUSTIC FABRIC COLOR OPTIONS*



*Acoustic fabric panels are included with video conferencing-enabled models only.

Please visit peerless-av.com/en-us/patents for patent information.

dvLED Display Specifications

	FHD Model
SIZE	108"
PIXEL PITCH	1.2 pp
RESOLUTION	FHD
LED LAMP TYPE	COB
MAX BRIGHTNESS	600 nits
CONTRAST	12,000 : 1
COLOR BIT	22 bit
REFRESH RATE	3840 Hz
VIEWING ANGLE	H 178° / V 178°
RECEIVING CARD	NS6323A
CONTROLLER	NovaStar MX20
OPERATING TEMPERATURE RANGE	14°F to 113°F (-10° to 45°C)
OPERATING HUMIDITY RANGE	10% to 80%
LIFESPAN	100,000 Hours
INPUT VOLTAGE	100-240V, 50/60Hz
POWER CONSUMPTION	369W Avg
	1102W Max
COLOR GAMUT	DCI-P3 : 99.49%
	Rec. 709 : 100%
	Rec. 2020 : 86.13%
SPARE PARTS INCLUDED	Pixel Modules (x4), Receiver Cards (x2), Hub Boards (x2), Power Supplies (x2), Service Tool



dvLED Controller Specifications

	NOVASTAR MX20 (FHD)
INPUTS	2x HDMI v1.3, 1x 3G-SDI
OUTPUTS	LED OUTPUTS: 6x 1 Gbps
	OPTICAL FIBER OUTPUTS: 2x 10 Gbps
	Genlock
BIT RATE	10 bit
CONTROL	TCP/IP, RS232: 2x RJ45
LOADING CAPACITY	MAX PIXELS PER OUTPUT: 650,000 Pixels
TOTAL PIXELS	3.9 Million Pixels
	MAXIMUM INPUT RESOLUTION: 1920 x 1080 @ 60Hz
	MAX OUTPUT WIDTH/HEIGHT: 3840 Pixels x 2560 Pixels
BUILT-IN SCALING	Custom, Pixel to Pixel, Snap to Canvas, Fill Screen
SUPPORTED LAYERS	~3 Layers
POWER INPUT	100-240V, 50/60Hz
MAX POWER CONSUMPTION	50W
OPERATING TEMPERATURE RANGE	-4°F to 113°F (-20°C to 45°C)
RACK DIMENSIONS	1RU
DIMENSIONS	19" x 1.96" x 15.12" (482.6 x 49.9 x 384mm)
WEIGHT	9.92lb (4.5kg)
CERTIFICATIONS	CE, RoHS, FCC, IC, UL, CB
ACCESSORIES INCLUDED (1 EACH)	Power Cord, Ethernet Cable, HDMI Cable, Certificate of Approval

Product Specifications

	DIMENSIONS (W x H x D)	PRODUCT WEIGHT	FINISH	CABINET COLORS	ACOUSTIC FABRIC COLOR
LEDMW-108-2KVCBB LEDMW-108-2KVCWB LEDMW-108-2KVCGB LEDMW-108-2KVCLB LEDMW-108-2KVCMB LEDMW-108-2KVCDB	96.22" x 100.00" x 7.05" (2444 x 2540 x 179mm)	497lb (225kg)	Thermally Fused Laminate (TFL)	Black Premium White Dust Grey White Casella Oak Natural Casella Oak Lincoln Walnut	Black
LEDMW-108-2KVCBG LEDMW-108-2KVCWG LEDMW-108-2KVCGG LEDMW-108-2KVCLG LEDMW-108-2KVCMG LEDMW-108-2KVC DG				Black Premium White Dust Grey White Casella Oak Natural Casella Oak Lincoln Walnut	Grey

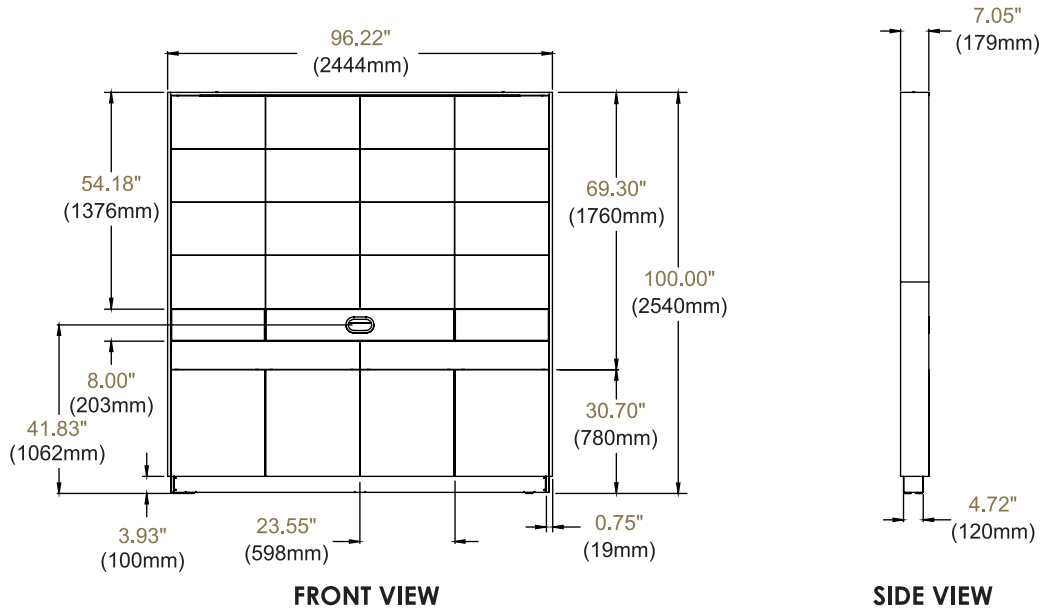
Package Specifications

	PACKAGE SIZE (W x H x D)	PACKAGE SHIP WEIGHT	PACKAGE UPC CODE	PACKAGE CONTENTS	UNITS IN PACKAGE
LEDMW-108-2KVCBB LEDMW-108-2KVCWB LEDMW-108-2KVCGB LEDMW-108-2KVCLB LEDMW-108-2KVCMB LEDMW-108-2KVCDB	COMING SOON	COMING SOON	735029361954 735029361961 735029361978 735029361985 735029361992 735029362005	FHD COB dvLED Display @ 1.2 pp NovaStar MX20 dvLED Mount Furniture-Grade TFL Cabinetry Video Conferencing Cabinet Thermostatically Controlled Fans (4)	1
LEDMW-108-2KVCBG LEDMW-108-2KVCWG LEDMW-108-2KVCGG LEDMW-108-2KVCLG LEDMW-108-2KVCMG LEDMW-108-2KVC DG			735029362029 735029362036 735029362043 735029362050 735029362067 735029362012	2RU Equipment Rack (1) Shelf (1) Universal AV Component Tray (1) Power Strip (2) LED Base Lights	

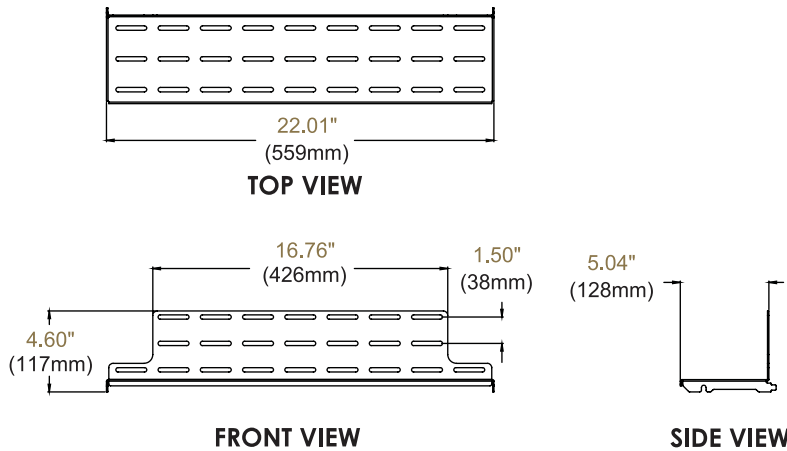
Accessories

- LEDMW-A2RU:** 2RU Equipment Rack
- LEDMW-ACCC:** Crestron® Collab Compute Mounting Bracket
- LEDMW-ACFX:** Crestron® Flex Mounting Bracket
- LEDMW-ACTY:** Universal AV Component Tray
- LEDMW-ADLK:** Door Lock
- LEDMW-AFAN:** Exhaust Fan
- LEDMW-ASHF:** Shelf
- PVP1200-CPL6:** Power Strip

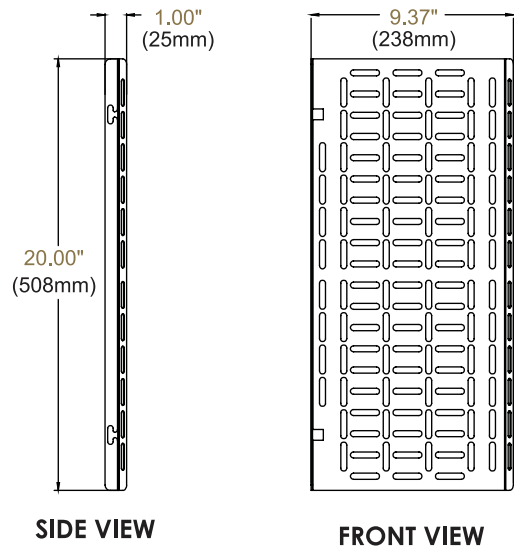
All dimensions = inch (mm)



SHELF



COMPONENT TRAY



Architect Specifications

The Refinio Media Wall by Peerless-AV® 108" All-In-One dvLED Display Solution with VC Housing shall be a Peerless-AV LEDMW-108-2KVC Models models and shall be located where indicated on the plans. Assembly and installation shall be done according to instructions provided by the manufacturer.

Visit peerless-av.com to see the complete line of AV solutions from Peerless-AV, including outdoor displays, kiosks, display mounts, projector mounts, carts/stands, and a full assortment of accessories.

Peerless-AV
 2300 White Oak Circle
 Aurora, IL 60502
 USA
(800) 865-2112
(630) 375-5100

Peerless-AV EMEA
 Unit 2 Curo Park
 Frogmore, St. Albans
 Hertfordshire, AL2 2DD
 United Kingdom
+44 (0) 1923 200 100

Peerless-AV B.V.
 Papendorpseweg 75
 3528 BJ Utrecht
 The Netherlands
+31 (0) 70 770 8037

Peerless-AV Latin America
 Av. de las Industrias 413
 Parque Industrial Escobedo
 General Escobedo, N.L.,
 México, 66062
+52 (81) 8384-8300

